

SEISMIC SHIELD PRO





SEISMIC SHIELD PRO

Overview

Introducing Seismic Shield Pro, a versatile solution for any perimeter protection needs—from border zones to solar farms and gated communities. Using advanced InvisiFence Plus seismic sensors, a top-tier 8MP PTZ Camera by IDIS, and AI-driven alarm verification, our system ensures robust and continuous security.

Seismic Shield Pro features InvisiFence Plus, a high-resolution 8MP PTZ Camera, and cutting-edge AI analytics for precise, automatic alarm validation. All these elements are harmoniously integrated via a sophisticated command and control software.

Configured as independent, modular sections spanning 500 meters, Seismic Shield Pro guarantees seamless coverage over expansive areas.

Experience the peace of mind that comes with the capability to accurately detect, validate, and respond to potential threats, ensuring you have the reliability and responsiveness your security demands



SEISMIC SHIELD PRO

How It works

Seismic Shield Pro operates in a three-step process for optimized security:

- **Detection:** InvisiFence Plus seismic sensors span each 500-meter module, detecting potential intrusions. These signals are sent directly to the command and control software.
- **Camera Activation:** Upon detection, the control software maneuvers the IDIS 8MP PTZ camera to visually confirm the intrusion area.
- **Threat Verification:** The integrated AI analytics assess the visual data, checking if the detected movement matches predefined threat criteria like humans, vehicles, or bicycles.
- **Response:** When a validated threat is detected, the control software initiates real-time tracking through the PTZ camera, allowing the operator to manage the situation effectively.

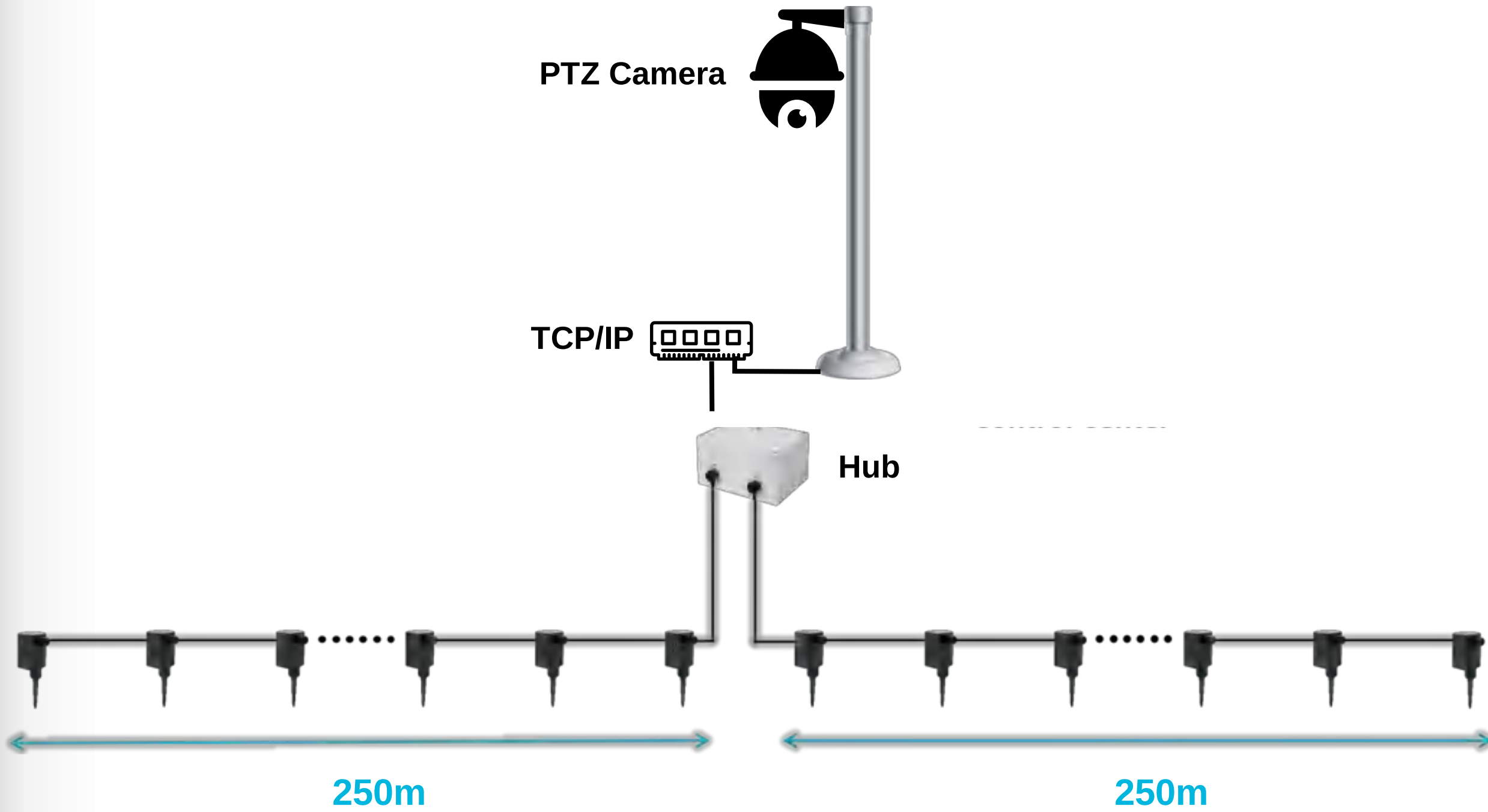
Through these steps, Seismic Shield Pro offers precise detection, automated validation, and real-time tracking—streamlining the operator's role while maximizing security.





SEISMIC SHIELD PRO

500m Section

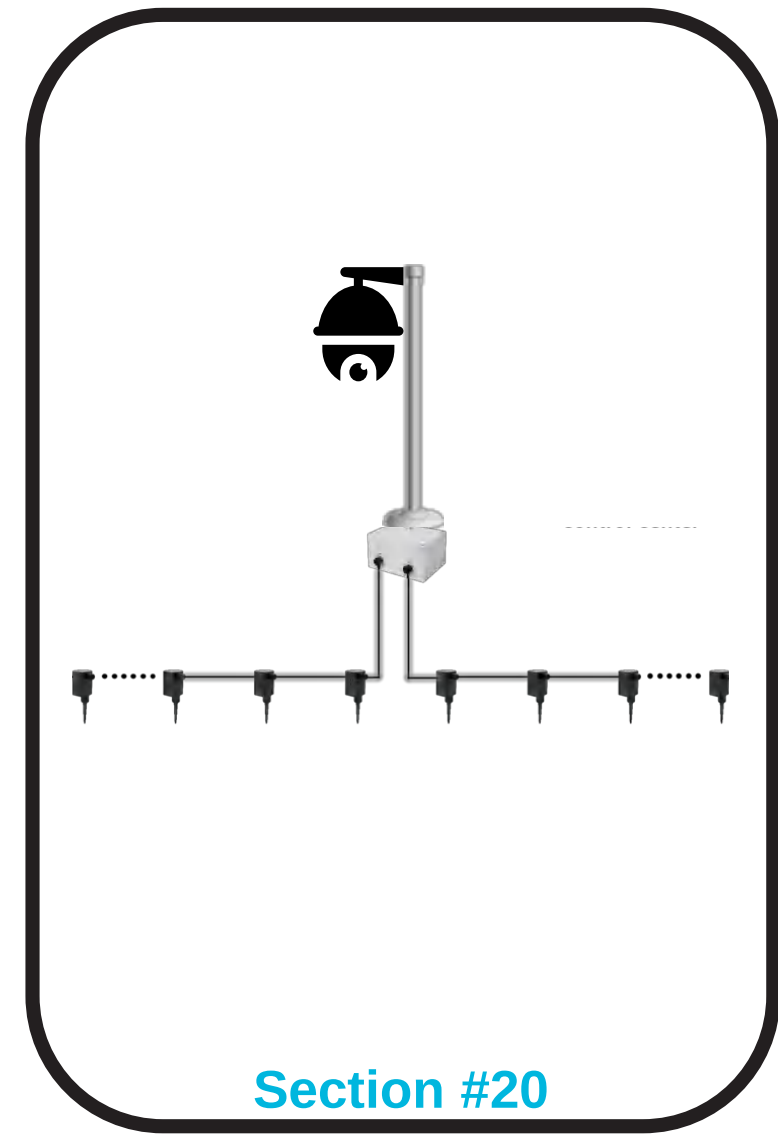
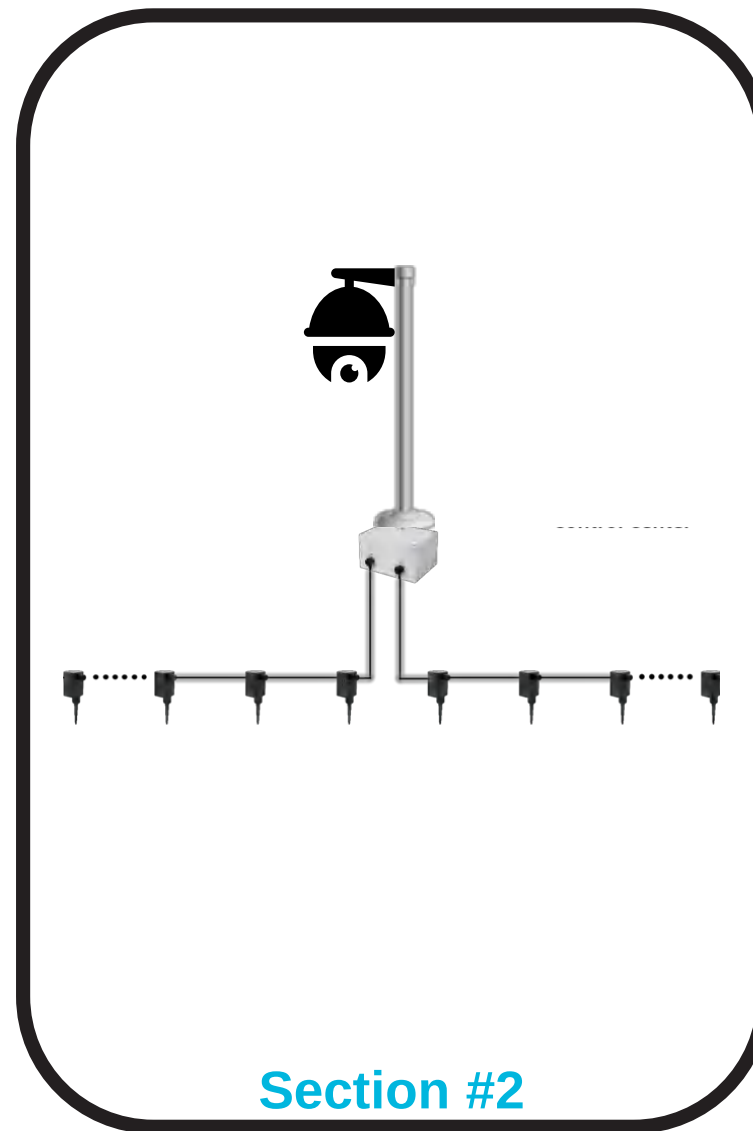
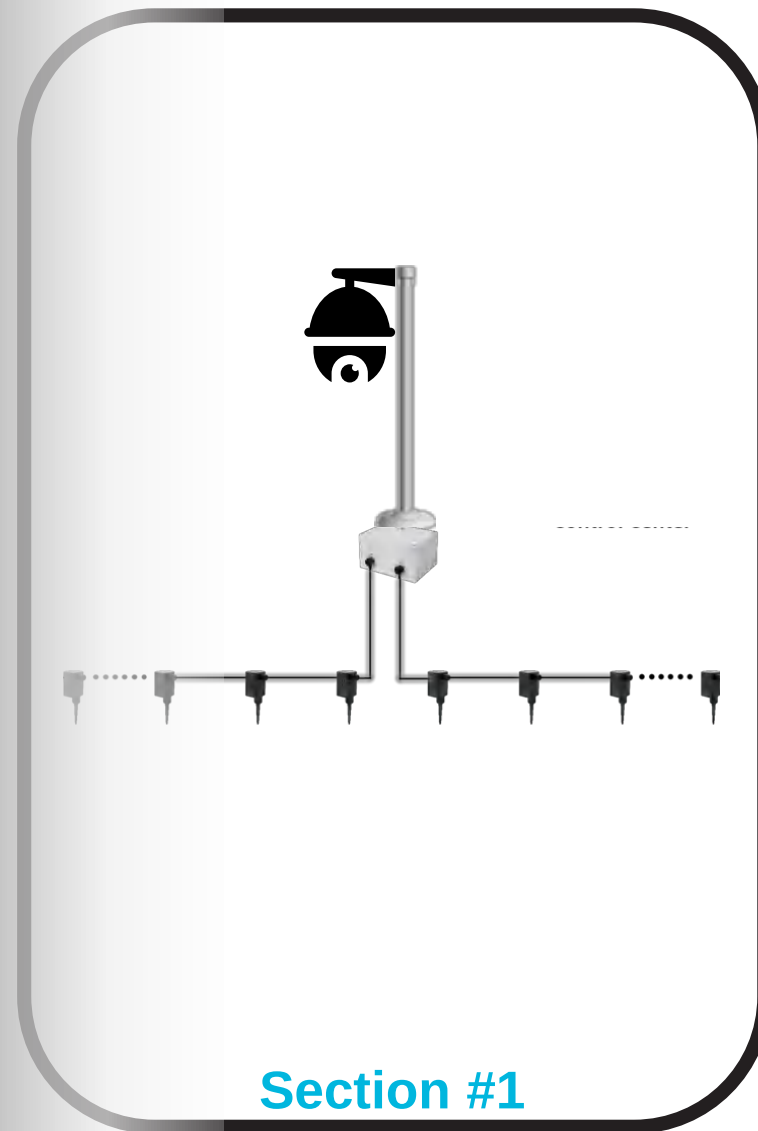




SEISMIC SHIELD PRO

10Km System Layout

Command & Control



SEISMIC SHIELD PRO

Solution Items



✓ InvisiFence Plus Sensor cable



✓ Hub Units



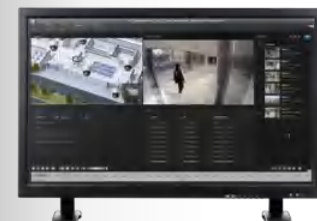
✓ IDIS 8MP 31x IR PTZ Camera (DC-S6881HRX)



✓ IDIS Recording Server



✓ IDIS AI In A Box



✓ Command And Control Software

SEISMIC SHIELD PRO

Key Features



Peace of Mind Through Reliability: Our unique three-step process of Detection, Validation, and Tracking ensures only genuine threats are acted upon, providing unparalleled reliability.



Cost-Effective Setup and Reduced Infrastructure: Our system requires just one power and TCP/IP point every 500m, significantly lowering both installation and infrastructure costs compared to traditional camera-only solutions.



Lower Maintenance: With durable seismic sensors and fewer camera units to maintain, ongoing costs are substantially reduced.



Operational Efficiency and Enhanced Coordination: AI-driven analytics and high-quality 8MP IDIS cameras work seamlessly with our integrated command and control software, reducing operator workload and minimizing the chance for human error.



SENSOGUARD

Track Record Of Success

SensoGuard has a proven record of delivering reliable protection worldwide.

Our buried sensor system stands out as the only commercially available solution capable of detecting tunneling activities, affirming our dedication to comprehensive perimeter security.



ISRAEL DEFENSE

SensoGuard supplies another 50 underground sensor systems to Defense Ministry

The company also won a contract to secure a 40-km-long infrastructure facility in Africa

Eyal Boguslevsky | 13/09/2020

Share this @ f in t w s e



**THANK'S FOR
WATCHING**

Contact Us:
Sales@SensoGuard.com

